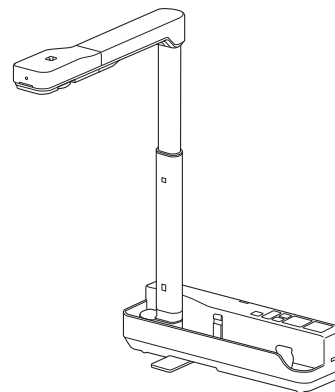


**EPSON**<sup>®</sup>  
EXCEED YOUR VISION

**ELPDC07**

# **Document Camera User's Guide**







## Meaning of Symbols in the Guide



- **Symbols for Safety**

The documentation and this product use graphical symbols to show how to use this product safely.

The indications and their meaning are as follows. Make sure you understand and respect these caution symbols to avoid injury to persons or property.

 <b>Warning</b>	This symbol indicates information that, if ignored, could possibly result in personal injury or even death due to incorrect handling.
 <b>Caution</b>	This symbol indicates information that, if ignored, could possibly result in personal injury or physical damage due to incorrect handling.

- **Symbols for General Information**

<b>Attention</b>	Indicates information that, if ignored, could cause the product to malfunction or cause damage.
	Indicates additional information and points which may be useful to know regarding a topic.
	Indicates a page where detailed information regarding a topic can be found.
[Name]	Indicates button names for the control panel. Example: [Return] button



## Safety Instructions

Read this *User's Guide* and follow all safety instructions for your document camera. Keep this guide at hand for future reference.

### **Warning**

Disconnect the document camera and contact your local dealer or Epson for help under the following conditions:

- If smoke, strange odors, or strange noises come from the device
- If liquid or foreign objects get inside the device
- If the device has been dropped or the housing has been damaged

Continuing to use under these conditions may result in fire or electric shock.

Never open any covers on the document camera except as specifically explained in this *User's Guide*. Never attempt to disassemble or modify the document camera. Refer all repairs to qualified service technicians.

Do not place any containers of liquid on top of or near the document camera.

Never allow objects of any kind to enter any openings in the document camera. Do not leave objects, especially flammable objects, near the document camera. Doing so may result in fire or electric shock.

Do not use or store the document camera in a hot location, such as in a closed vehicle, in direct sunlight, near air conditioning or heater vents, or near a projector's exhaust vent. Thermal damage, fire, or malfunction may occur.

Do not use or store the document camera outdoors for an extended length of time, or where it may be exposed to rain, water, or excessive humidity. Fire or electric shock may result.

Do not look into the lens when the LED illumination lamp is on. The bright light can damage your eyes.

The cords included with this product contain chemicals, including lead, known to the State of California to cause birth defects or other reproductive harm. Wash hands after handling. (This notice is provided in accordance with Proposition 65 in Cal. Health & Safety Code § 25249.5 and following.)



### **Caution**

Do not place heavy objects on document camera. Otherwise, it may be damaged.

When using the document camera, be sure to extend the foot. Otherwise, the document camera may tip over or break, causing personal injury.

Be careful not to pinch your fingers in the movable parts of the document camera.

Do not place the document camera in an unstable location, such as on a shaky table or slanted surface. The document camera may drop or tip over, causing personal injury. If you use a table, cart, or stand, make sure it is stable and will not fall over.

When raising the arm of the document camera, use both hands. If you release the arm before it is raised completely, the camera head may spring up, causing personal injury.

Do not place or store the document camera where it is accessible to small children. It may drop or tip over, causing personal injury.

Do not set up the document camera near high-voltage electrical wires or sources of magnetic fields. This may interfere with correct operation.


Before cleaning the document camera, disconnect the USB cable.

Do not place the document camera on a carpet, blanket, and so on, or cover it during use.

Do not install the document camera in a hot location, such as near a heater.

Route cables so that they are not a tripping hazard. Otherwise, they could trip someone and cause a fall or injury.

### **Usage Precautions**

Operate in the proper environmental conditions.  "General Specifications" [p.27](#)

Do not use or store the document camera where it may be exposed to smoke, steam, corrosive gases, or excessive dust. Fire or electric shock may result.

Do not store the document camera in locations subject to direct sunlight or near heaters.

Do not place the document camera where it may be exposed to vibration or shock.

Do not touch the camera lens with bare hands. The displayed images will not be clear if there are fingerprints or oil from your skin on the lens surface.

Make sure you disconnect the USB cable when not using or when moving the document camera.

Use a dry cloth (or, for stubborn stains, a moist cloth that has been wrung dry) for cleaning. Do not use liquid, aerosol cleaners, or solvents such as alcohol, thinner or benzene.

When transporting the document camera, use the soft carrying case.

Connect the document camera directly to a projector using the USB cable supplied. The document camera will not operate properly if a USB hub is used.

Dispose of the document camera according to local regulations.



**Meaning of Symbols in the Guide ..... 2**

**Safety Instructions ..... 3**

## **Operating the Document Camera**

**Included Items ..... 7**

**Document Camera Parts ..... 8**

Top/Side/Rear ..... 8  
Camera Head ..... 9

**Connecting the Document Camera and Displaying Images . . . . 10**

Connecting to a Projector through a Computer ..... 11  
Displaying an Image ..... 12  
Freezing an Image ..... 12  
Displaying Whiteboard Images ..... 13  
Disconnecting the Document Camera ..... 13

## **Using the Computer Software**

**Using Easy Interactive Tools ..... 15**

System Requirements ..... 15  
Installing ..... 16  
Uninstalling ..... 16

**Using Other Software ..... 18**

Installing ..... 18  
Uninstalling ..... 18

## **Solving Problems**

**Problems and Solutions ..... 20**

Operation Problems ..... 20  
No image appears on the screen ..... 20  
An unknown USB device has been connected. is displayed. .... 20  
Image Quality Problems ..... 20  
The image is fuzzy or out of focus ..... 20  
Image colors are incorrect ..... 20

**Epson Projector Contact List ..... 21**

EUROPE ..... 21  
AFRICA ..... 23  
MIDDLE EAST ..... 23  
NORTH, CENTRAL AMERICA & CARIBBEAN ISLANDS ..... 24  
SOUTH AMERICA ..... 24  
ASIA AND OCEANIA ..... 24

## **Notices**

**Specifications ..... 27**

General Specifications ..... 27

**Symbols Indicating the Device Meets the IEC60950-1 A2 Safety Standards ..... 30**

**Copyrights and Trademarks ..... 32**

Responsible Use of Copyrighted Materials ..... 32  
Trademarks ..... 32



## Operating the Document Camera

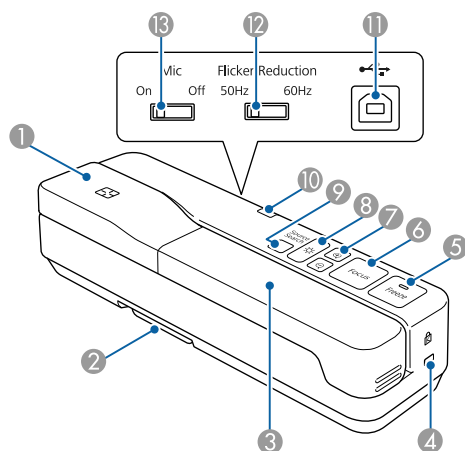
## Included Items




- Document Camera
- USB cable (for use with document camera only) 3.0 m (10 feet)
- Soft carrying case\*
- EPSON Document Camera Software CD-ROM
- Document CD-ROM
- Quick Start guide
- Setup label

\*The soft carrying case is not included when the document camera is packaged together with a projector.

## Top/Side/Rear

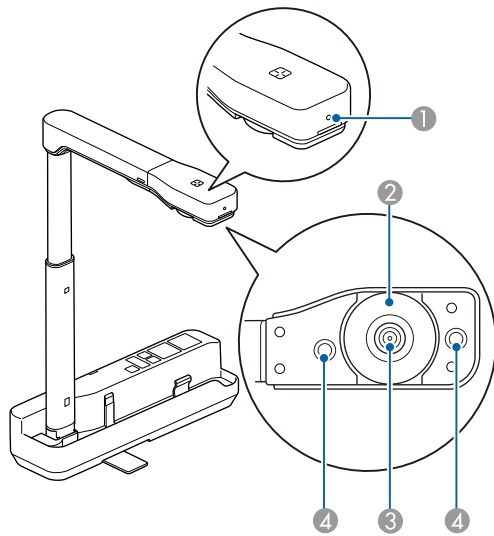


Name	Function
1 Camera head	 "Camera Head" <a href="#">p.9</a>
2 Foot	Extend the foot when installing.
3 Camera arm	Extends or retracts to adjust the height of the camera head.
4 Security slot	The security slot is compatible with the Microsaver security system manufactured by Kensington.
5 [Freeze] button	Freezes live images. Press the button again to resume projection. The indicator turns on when the image is frozen. The audio does not stop.

Name	Function
6 [Focus] button	Focuses the image automatically. The document camera cannot focus on objects that are approximately 10 cm (4 inches) or less from the surface of the camera lens. If you want to adjust the white balance, press and hold this button for approximately five seconds.
7 [⊕] [⊖] buttons	Enlarges or reduces the image without changing the projection size.
8 [LED] button	Turns the LED lamp on or off.
9 [Source Search] button	Changes the image projected from the projector. When multiple devices are connected to the projector, press the button repeatedly until the image you want to display is shown. This is not available when the document camera is connected to a computer.
10 Power indicator	This indicator comes on when power is supplied from a projector or computer.
11 USB port (type B)	Connects the document camera to a projector or computer using the USB cable supplied.
12 Flicker Reduction switch	Change to 50Hz or 60Hz according to the power frequency in the area you live. This reduces flickering in images.
13 Mic switch	Set this to Off to disable input from the internal microphone. This should usually be set to On.



## Camera Head



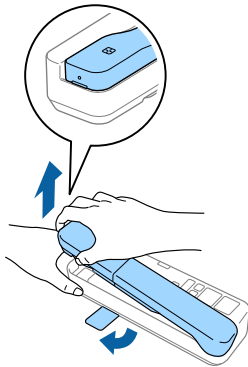
### Attention

Do not rub the lens with harsh materials or subject it to shock, as it can be easily damaged. Use a soft cloth to gently wipe the lens.

	Name	Function
①	Microphone	Inputs audio.
②	Image rotation dial	Rotates the projected image by $\pm 90$ degrees.
③	Camera lens	Captures the image.
④	LED lamp	Provides additional light when there is not enough light on your document.

Connect the document camera to a projector using the USB cable that is supplied with the document camera. For information on the projectors that can be connected, see the *User's Guide* supplied with the projector.

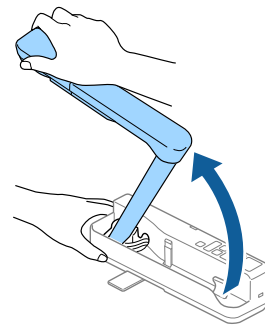
- 1 Extend the foot, and then hold the grip and raise the camera head.



### Caution

- When using the document camera, be sure to extend the foot. The document camera may fall, causing personal injury if it strikes someone.
- Be careful not to pinch your fingers in the movable parts of the document camera.

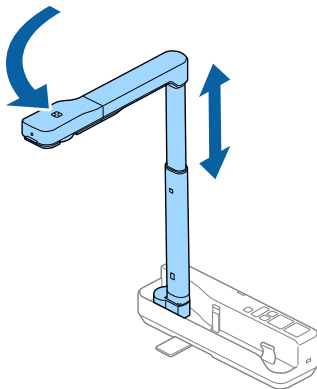
- 2 While holding the camera head, raise the camera arm.



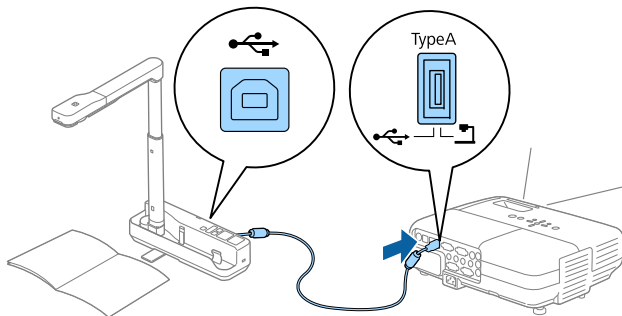
### Caution

Do not release the camera head before the camera arm is vertical. The camera head may cause personal injury if it strikes you.

- 3 Rotate the camera arm 90° and rotate the camera head so that it is facing the table surface. Adjust the height accordingly.



- 4** Turn on your projector.
- 5** Connect the supplied USB cable to the USB port (type B) on the document camera and the USB port (type A) on the projector.  
Live images from the document camera are projected from the projector.



- The document camera will not operate properly if a USB hub is used. Connect the projector directly to the document camera.
- If no images are projected, press the [Source Search] button on the document camera.



### Warning

Do not look into the camera lens when the LED lamp is on.

## Connecting to a Projector through a Computer

When the document camera is connected to a computer using a USB cable, you can operate the document camera from the computer. Using the supplied software, you can save images and video, adjust picture quality, zoom, and so on.

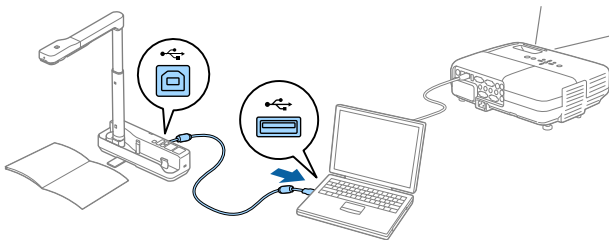
☛ "Using the Computer Software" [p.14](#)

Connect the USB cable to the USB-B port on the document camera and the USB port on the computer.

Next, connect the computer to the projector using an appropriate cable. See your computer and projector documentation to determine the correct cable.

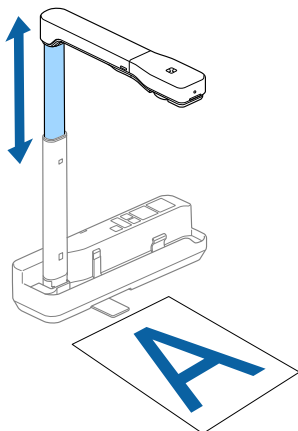


- Connect the document camera to a USB 2.0 port of a computer. If you connect it to a USB 3.0 port, it may not function properly.
- Connect only one document camera to a computer at a time.

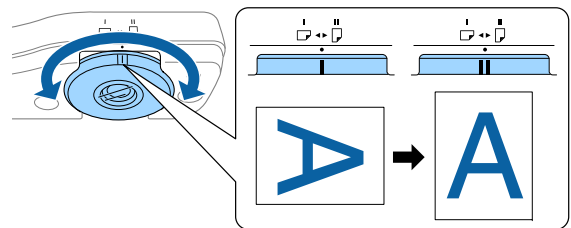


### Displaying an Image

- 1 Place your document on the table under the camera head.
- 2 Extend or retract the camera arm to adjust the image size.



- 3 Press the [Focus] button.  
The focus is adjusted automatically.
- 4 Press the [⊕]/[⊖] buttons to zoom in or out.
- 5 If you want to rotate the projected image, turn the image rotation dial.



- 6 Press the [☀] button to illuminate the document.



If the document is small, place a piece of white paper (B4 size, 353 × 250 mm [13.9 × 9.8 in] or larger) under the document to improve the projected image.

### Freezing an Image

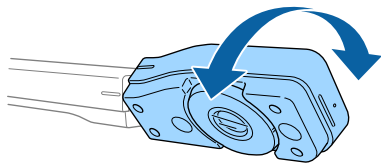
Press the [Freeze] button to freeze the image.

After freezing the image, you can remove your document while leaving its image displayed on the screen. Place your next document under the camera lens and press the [Freeze] button again; your presentation continues without interruption.

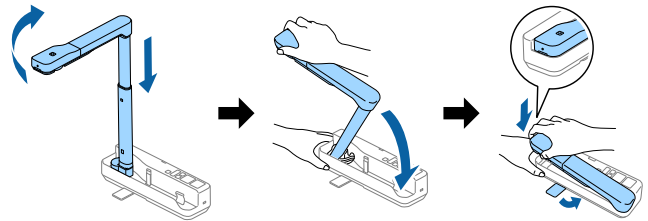
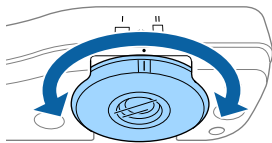
### Displaying Whiteboard Images

You can use the document camera to display a lecture or presentation at the front of a room, or to capture images of a whiteboard or chalkboard.

- 1 Rotate the camera head and set it in the direction of the object.



- 2 If you want to rotate the projected image, turn the image rotation dial.



### Disconnecting the Document Camera

- 1 Disconnect the USB cable from the document camera.
- 2 Fold down the camera arm.



## Using the Computer Software

The included software lets you operate the document camera from a computer.

When using the Easy Interactive Tools camera screen, you can display images from the document camera on a computer connected via a USB cable. You can adjust the image size, brightness, and so on.

For more details on Easy Interactive Tools, see the *Easy Interactive Tools Operation Guide*.



When projecting an image using a projector that supports the interactive pen or touch operations, you can operate the Easy Interactive Tools on the projected image.

## System Requirements

### Windows

OS	Windows Vista*	Ultimate 32 bit Enterprise 32 bit Business 32 bit Home Premium 32 bit Home Basic 32 bit
	Windows 7	Ultimate 32/64 bit Enterprise 32/64 bit Professional 32/64 bit Home Premium 32/64 bit Home Basic 32 bit
	Windows 8	Windows 8 32/64 bit Windows 8 Pro 32/64 bit Windows 8 Enterprise 32/64 bit
	Windows 8.1	Windows 8.1 32/64 bit Windows 8.1 Pro 32/64 bit Windows 8.1 Enterprise 32/64 bit

	Windows 10	Home 32/64 bit Pro 32/64 bit Enterprise 32/64 bit Education 32/64 bit
<b>CPU</b>	Intel Core2 Duo 1.2 GHz or faster Recommended: Intel Core i3 or faster	
<b>Amount of Memory</b>	1 GB or more Recommended: 2 GB or more	
<b>Hard Disk Space</b>	100 MB or more	
<b>Display</b>	Resolutions no lower than XGA (1024 x 768) and no higher than WUXGA (1920 x 1200) Display color of 16-bit color or more	

\* Service Pack 2 or later

### Mac

<b>OS*</b>	OS X 10.7.x OS X 10.8.x OS X 10.9.x OS X 10.10.x OS X 10.11.x macOS 10.12.x	
<b>CPU</b>	Intel Core2 Duo 1.2 GHz or faster Recommended: Intel Core i5 or faster	
<b>Amount of Memory</b>	1 GB or more Recommended: 2 GB or more	
<b>Hard Disk Space</b>	100 MB or more	



<b>Display</b>	Resolutions no lower than XGA (1024 x 768) and no higher than WUXGA (1920 x 1200) Display color of 16-bit color or more
----------------	--

\* You need QuickTime 7.7 or later.

## Installing



- The software should be installed by a user with administrator access.
- Close all running applications before starting the installation.

### Windows

- 1 Turn on your computer.
- 2 Insert the EPSON Document Camera Software CD-ROM in your computer.  
The installer screen is automatically displayed.
- 3 When you see the license agreement, accept the terms and click **Next**.
- 4 At the Easy Interactive Tools Setup screen, select **Drawing on the Camera screen** and click **Install**.

### Mac

- 1 Turn on your computer.
- 2 Insert the EPSON Document Camera Software CD-ROM in your computer.  
The installer screen is automatically displayed.
- 3 Double-click the **Install Navi** icon in the EPSON window.
- 4 Follow the on-screen instructions to install the software.

- 5 When you see the license agreement, click **Continue** and then click **Agree**.
- 6 At the Easy Interactive Tools Setup screen, select **Drawing on the Camera screen** and click **Install**.

## Uninstalling

### Windows Vista/Windows 7

- 1 Click **Start**, and then **Control Panel**.
- 2 Click **Uninstall a program**.
- 3 Select **Easy Interactive Tools Ver.X.XX**, and then click **Uninstall**.

### Windows 8/Windows 8.1

- 1 Select **Search** on the Charms, and then search for **Easy Interactive Tools Ver.X.XX**.
- 2 Right-click (press and hold) **Easy Interactive Tools Ver.X.XX**, and then select **Uninstall** from the app bar.
- 3 Select **Easy Interactive Tools Ver.X.XX**, and then select **Uninstall**.

### Windows 10

- 1 Right click **Start**.
- 2 Click **Control Panel**.
- 3 Click **Uninstall a program**.





- 4 Select **Easy Interactive Tools Ver.X.XX**, and then click **Uninstall**.

### Mac

- 1 Double-click **Applications - Easy Interactive Tools Ver.X.XX**.
- 2 Run **Easy Interactive Tools Uninstaller** from the **Tools** folder.
- 3 Follow the on-screen instructions to uninstall.

You need to install TWAIN Driver for Epson Document Camera (Ver. 2.00 or later) to use software that supports TWAIN. (Supports Windows only)

### Installing

- 1 Turn on your computer.
- 2 Insert the EPSON Document Camera Software CD-ROM in your computer.
- 3 Double-click **Computer - TWAIN Driver for Epson Document Camera - setup.exe**.  
The installer screen is automatically displayed.
- 4 Follow the instructions on the screen to install all the software.

### Uninstalling

#### Windows Vista/Windows 7

- 1 Click **Start - Control Panel**.
- 2 Click **Uninstall a program**.
- 3 Select **TWAIN Driver for Epson Document Camera Ver.X.XX**, and then click **Uninstall**.

#### Windows 8/Windows 8.1

- 1 Select **Search** from the Charm bar, and then search for **TWAIN Driver for Epson Document Camera Ver.X.XX**.

- 2 Right-click (and hold) on **TWAIN Driver for Epson Document Camera Ver.X.XX**, and then select **Uninstall** from the application bar.
- 3 Select **TWAIN Driver for Epson Document Camera Ver.X.XX**, and then select **Uninstall**.

#### Windows 10

- 1 Right click **Start**.
- 2 Click **Control Panel**.
- 3 Click **Uninstall a program**.
- 4 Select **TWAIN Driver for Epson Document Camera Ver.X.XX**, and then click **Uninstall**.



## Solving Problems

---

### Operation Problems

#### No image appears on the screen

- Check that the USB cable is connected properly and that the power indicator is on.
- Select the correct source on your projector. The source refers to the port on the projector to which you have connected the cable.

#### "An unknown USB device has been connected. " is displayed.

When you connect to some Epson projectors, the following message may be displayed: "An unknown USB device has been connected. Remove the USB device." Set the Mic switch on the document camera to Off, and then connect to the projector again. (Note that setting the Mic switch to Off disables input from the internal microphone.)

☛ "Top/Side/Rear" p.8

---

### Image Quality Problems

#### The image is fuzzy or out of focus

In the following situations, the auto focus function may not work correctly:

- If the document is less than 10 cm (4 inches) away from the camera lens.
- If the contrast for the document is too low
- If the document has detailed patterns, such as horizontal stripes and checkered patterns
- If the surroundings are dark
- If the document has a bright background

Check the projection environment, and then press the [Focus] button again.

#### Image colors are incorrect

If the projected image colors are incorrect, press and hold the [Focus] button for approximately five seconds to adjust the white balance for the image and environment. To restore the white balance to the previous setting, press and hold the [Focus] button again.



See the following contact list if any problems occur when using the document camera outside Japan.

See the Web Home Page provided with each contact for the latest contact information. If the country you are in is not provided, see the main home page, [www.epson.com](http://www.epson.com).

### EUROPE

#### ALBANIA

**ITD Sh.p.k.**

<http://www.itd-al.com>

#### AUSTRIA

**Epson Deutschland GmbH**

<http://www.epson.at>

#### BELGIUM

**Epson Europe B.V.**

**Branch office Belgium**

<http://www.epson.be>

#### BOSNIA AND HERZEGOVINA

**NET d.o.o. Computer Engineering**

<http://www.net.com.ba>

#### BULGARIA

**Epson Service Center, Bulgaria**

<http://www.kolbis.com>

#### CROATIA

**MR servis d.o.o.**

<http://www.mrservis.hr>

#### CYPRUS

**Mechatronic Ltd.**

<http://www.mechatronic.com.cy>

#### CZECH REPUBLIC

**Epson Europe B.V.**

**Branch Office Czech Republic**

<http://www.epson.cz>

#### DENMARK

**Epson Denmark**

<http://www.epson.dk>

#### ESTONIA

**Epson Service Center, Estonia**

<http://www.epson.ee>

#### FINLAND

**Epson Finland**

<http://www.epson.fi>

#### FRANCE and DOM-TOM TERRITORIES

**Epson France S.A.**

<http://www.epson.fr>

#### GERMANY

**Epson Deutschland GmbH**

<http://www.epson.de>

**GREECE****Oktabit S.A.**<http://www.oktabit.gr>**HUNGARY****Epson Europe B.V.  
Branch Office Hungary**<http://www.epson.hu>**IRELAND****Epson (UK) Ltd.**<http://www.epson.ie>**ISRAEL****Epson Israel**<http://www.epson.co.il>**ITALY****Epson Italia s.p.a.**<http://www.epson.it>**KAZAKHSTAN****Epson Kazakhstan Rep. Office**<http://www.epson.kz>**LATVIA****Epson Service Center, Latvia**<http://www.epson.lv>**LITHUANIA****Epson Service Center Lithuania**<http://www.epson.lt>**LUXEMBURG****Epson Europe B.V. Branch office Belgium**<http://www.epson.be>**MACEDONIA****Digit Computer Engineering**<http://www.digit.com.mk>**NETHERLANDS****Epson Europe B.V. Benelux sales office**<http://www.epson.nl>**NORWAY****Epson Norway**<http://www.epson.no>**POLAND****Epson EUROPE B.V. Branch Office Poland**<http://www.epson.pl>**PORTUGAL****Epson Iberica S.A.U. Branch Office Portugal**<http://www.epson.pt>**ROMANIA****Epson Europe B.V. Branch Office Romania**<http://www.epson.ro>**RUSSIA****Epson CIS**<http://www.epson.ru>



### UKRAINE

**Epson Kiev Rep Office**

<http://www.epson.ua>

### SERBIA

**AVG d.o.o. Beograd**

<http://www.a-v-g.rs>

### SLOVAKIA

**Epson EUROPE B.V. Branch Office Czech Republic**

<http://www.epson.sk>

### SLOVENIA

**Birotehna d.o.o**

<http://www.birotehna.si>

### SPAIN

**Epson Iberica, S.A.U.**

<http://www.epson.es>

### SWEDEN

**Epson Sweden**

<http://www.epson.se>

### SWITZERLAND

**Epson Deutschland GmbH Branch office Switzerland**

<http://www.epson.ch>

### TURKEY

**Tecpro Bilgi Teknolojileri Tic. ve San. Ltd. Sti.**

<http://www.tecpro.com.tr>

### UK

**Epson (UK) Ltd.**

<http://www.epson.co.uk>

**Indication of the manufacturer and the importer in accordance with requirements of EU directive**

Manufacturer: SEIKO EPSON CORPORATION

Address: 3-5, Owa 3-chome, Suwa-shi, Nagano-ken 392-8502 Japan

Telephone: 81-266-52-3131

<http://www.epson.com/>

Importer: EPSON EUROPE B.V.

Address: Atlas Arena, Asia Building, Hoogoorddreef 5, 1101 BA Amsterdam Zuidoost  
The Netherlands

Telephone: 31-20-314-5000

<http://www.epson.com/europe.html>

---

## AFRICA

<http://www.epson.co.za>

or

<http://www.epson.fr>

### SOUTH AFRICA

**Epson South Africa**

<http://www.epson.co.za>

---

## MIDDLE EAST

**Epson (Middle East)**



<http://www.epson.ae>

---

### **NORTH, CENTRAL AMERICA & CARIBBEAN ISLANDS**

#### **CANADA**

**Epson Canada, Ltd.**

<http://www.epson.ca>

#### **COSTA RICA**

**Epson Costa Rica, S.A.**

<http://www.epson.co.cr>

#### **MEXICO**

**Epson Mexico, S.A. de C.V.**

<http://www.epson.com.mx>

#### **ECUADOR**

**Epson Ecuador**

<http://www.epson.com.ec>

#### **U.S.A.**

**Epson America, Inc.**

<http://www.epson.com>

---

### **SOUTH AMERICA**

#### **ARGENTINA**

**Epson Argentina S.R.L.**

<http://www.epson.com.ar>

#### **BRAZIL**

**Epson do Brasil**

<http://www.epson.com.br>

#### **CHILE**

**Epson Chile S.A.**

<http://www.epson.cl>

#### **COLOMBIA**

**Epson Colombia Ltd.**

<http://www.epson.com.co>

#### **PERU**

**Epson Peru S.A.**

<http://www.epson.com.pe>

#### **VENEZUELA**

**Epson Venezuela S.A.**

<http://www.epson.com.ve>

---

### **ASIA AND OCEANIA**

#### **AUSTRALIA**

**Epson Australia Pty. Ltd.**

<http://www.epson.com.au>

#### **CHINA**

**Epson (CHINA) CO., Ltd.**





<http://www.epson.com.cn>

### **HONG KONG**

**Epson Hong Kong Ltd.**

<http://www.epson.com.hk>

### **INDIA**

**Epson India Pvt., Ltd.**

<http://www.epson.co.in>

### **INDONESIA**

**PT. Epson Indonesia**

<http://www.epson.co.id>

### **JAPAN**

**SEIKO EPSON CORPORATION  
TOYOSHINA OFFICE**

<http://www.epson.jp>

### **KOREA**

**Epson Korea Co., Ltd.**

<http://www.epson.co.kr>

### **MALAYSIA**

**Epson Malaysia Sdn. Bhd.**

<http://www.epson.com.my>

### **NEW ZEALAND**

**Epson New Zealand**

<http://www.epson.co.nz>

### **PHILIPPINES**

**Epson Philippines Co.**

<http://www.epson.com.ph>

### **SINGAPORE**

**Epson Singapore Pte. Ltd.**

<http://www.epson.com.sg>

### **TAIWAN**

**Epson Taiwan  
Technology & Trading Ltd.**

<http://www.epson.com.tw>

### **THAILAND**

**Epson (Thailand) Co., Ltd.**

<http://www.epson.co.th>



## Notices



## General Specifications

<b>Product name</b>	ELPDC07
<b>Interface</b>	USB port (type B)*1
<b>Dimensions</b>	Open (W × D × H): 260 × 76 × 388 mm (10 × 3 × 15 inch) Folded (W × D × H): 260 × 76 × 60 mm (10 × 3 × 2 inch)
<b>Type of sensor</b>	1/2.7 inch CMOS sensor
<b>Lens</b>	F = 2.8
<b>Effective pixels</b>	2 megapixels (1920 × 1080)
<b>Output resolution</b>	VGA/SVGA/XGA/SXGA/WXGA/720p/1080p
<b>Imaging area</b>	1080p: Maximum 27.5 × 49.1 cm (10.8 × 19.3 inch) XGA: Maximum 27.5 × 36.8 cm (10.8 × 14.4 inch)
<b>Focus adjustment</b>	Automatic
<b>Zoom adjustment</b>	8x digital zoom*2
<b>Frame rate</b>	Up to 30 fps
<b>Exposure compensation</b>	Automatic
<b>White Balance</b>	Automatic
<b>Image rotation</b>	Horizontal direction ±90°
<b>Camera rotation</b>	Vertical direction ±90°
<b>Internal microphone</b>	1 (monaural input)
<b>Power supply</b>	5 VDC
<b>Power consumption</b>	Maximum 2.5 W
<b>Operation elevation</b>	0 to 2286 m (7500 feet) above sea level
<b>Operating temperature</b>	+5 to +35°C (41 to 95°F), without condensation
<b>Storage temperature</b>	-10 to +60°C (14 to 140°F), without condensation



<b>Weight</b>	Approx. 1 kg (35 ounces)
---------------	--------------------------

\*1 USB 2.0 is supported, however, operation of all USB-compatible devices is not guaranteed.

\*2 This may be x4 depending on the projector being used.

**DECLARATION of CONFORMITY**

According to 47CFR, Part 2 and 15  
Class B Personal Computers and Peripherals; and/or  
CPU Boards and Power Supplies used with Class B Personal Computers

We: Epson America, Inc.  
Located at: 3840 Kilroy Airport Way  
MS: 3-13  
Long Beach, CA 90806  
Tel: 562-981-3840

Declare under sole responsibility that the product identified herein, complies with 47CFR Part 2 and 15 of the FCC rules as a Class B digital device. Each product marketed, is identical to the representative unit tested and found to be compliant with the standards. Records maintained continue to reflect the equipment being produced can be expected to be within the variation accepted, due to quantity production and testing on a statistical basis as required by 47CFR 2.909. Operation is subject to the following two conditions : (1) this device may not cause harmful interference, and (2) this device must accept any interference received, including interference that may cause undesired operation.

Trade Name: EPSON  
Type of Product: Document Camera  
Model: ELPDC07

**FCC Compliance Statement  
For United States Users**

This equipment has been tested and found to comply with the limits for a Class B digital device, pursuant to Part 15 of the FCC Rules. These limits are designed to provide reasonable protection against harmful interference in a residential installation. This equipment generates, uses, and can radiate radio frequency energy and, if not installed and used in accordance with the instructions, may cause harmful interference to radio communications.

However, there is no guarantee that interference will not occur in a particular installation. If this equipment does cause interference to radio and television reception, which can be determined by turning the equipment off and on, the user is encouraged to try to correct the interference by one or more of the following measures.

- Reorient or relocate the receiving antenna.
- Increase the separation between the equipment and receiver.
- Connect the equipment into an outlet on a circuit different from that to which the receiver is connected.
- Consult the dealer or an experienced radio/TV technician for help.

**WARNING**

The connection of a non-shielded equipment interface cable to this equipment will invalidate the FCC Certification or Declaration of this device and may cause interference levels which exceed the limits established by the FCC for this equipment. It is the responsibility of the user to obtain and use a shielded equipment interface cable with this device. If this equipment has more than one interface connector, do not leave cables connected to unused interfaces. Changes or modifications not expressly approved by the manufacturer could void the user's authority to operate the equipment.

**For Canadian Users**

CAN ICES-3 (B) / NMB-3 (B)

## Symbols Indicating the Device Meets the IEC60950-1 A2 Safety Standards



The following table describes the safety symbols displayed on the product.

No.	Symbol	Supported Standard	Explanation
①		IEC60417 No.5007	Power ON Indicates connection to power supply.
②		IEC60417 No.5008	Power OFF Indicates disconnection from power supply.
③		IEC60417 No.5009	Standing by Indicates electricity is being supplied to part of the device/equipment when the switch or position of the device/equipment is in standby status.
④		ISO7000 No.0434B IEC3864-B3.1	Caution Indicates caution must be taken when handling the product.
⑤		IEC60417 No.5041	Caution (Hot) Indicates parts of the product that should not be touched accidentally due to high temperatures.
⑥		IEC60417 No.6042 ISO3864-B3.6	Caution (Danger of Electric Shock) Indicates that the device/equipment presents a risk of electric shock.
⑦		IEC60417 No.5957	Indoor Use Only Indicates that the device/equipment is for indoor use only.
⑧		IEC60417 No.5926	Power Connector Polarity Indicates the positive and negative electrodes for DC power devices that can be connected.
⑨		IEC60417 No.5001B	Batteries (General) Indicates that batteries are used to power the device/equipment. Displayed on the battery case cover or connection port.

No.	Symbol	Supported Standard	Explanation
⑩		IEC60417 No.5002	Battery Direction Indicates the direction of the batteries on the outside or inside of the battery case.
⑪		IEC60417 No.5019	Protective Grounding Indicates an external conductor to safeguard against electric shocks if a malfunction occurs by using a connection port or grounding safeguard port.
⑫		IEC60417 No.5017	Grounding Indicates a grounding port when No. 11 is not explicitly called for.
⑬		IEC60417 No.5032	AC Current Indicates the device/equipment uses a dedicated AC current, and has an AC current supported port.
⑭		IEC60417 No.5031	Direct Current Indicates the device/equipment uses a dedicated DC current, and has a DC current supported port.
⑮		IEC60417 No.5172	Class II Equipment Indicates the device/equipment meets the JIS C 9335-1/JIS C 8105-1 safety requirements for Class II equipment.
⑯		ISO 3864	General Prohibition Indicates unidentified general prohibited items.
⑰		ISO 3864	Do Not Touch Indicates that touching specific parts of the equipment is prohibited since an injury could occur.
⑱		---	Indicates that you should not look into the projector's lens while it is projecting.

## Symbols Indicating the Device Meets the IEC60950-1 A2 Safety Standards



No.	Symbol	Supported Standard	Explanation
19		---	Indicates that you should not place anything on the projector.
20		ISO3864 IEC60825-1	Caution (Laser Emissions) Indicates that the product contains a laser emitter of a level that requires caution.
21		ISO 3864	Disassembly Prohibited Indicates that disassembling the product is prohibited since an electric shock may occur.
22		---	Indicates that you should not look into the lens while the LED is on.



All rights reserved. No part of this publication may be reproduced, stored in a retrieval system, or transmitted in any form or by any means, electronic, mechanical, photocopying, recording, or otherwise, without the prior written permission of Seiko Epson Corporation. No patent liability is assumed with respect to the use of the information contained herein. Neither is any liability assumed for damages resulting from the use of the information contained herein.

Neither Seiko Epson Corporation nor its affiliates shall be liable to the purchaser of this product or third parties for damages, losses, costs, or expenses incurred by the purchaser or third parties as a result of: accident, misuse, or abuse of this product or unauthorized modifications, repairs, or alterations to this product, or (excluding the U.S.) failure to strictly comply with Seiko Epson Corporation's operating and maintenance instructions.

Seiko Epson Corporation shall not be liable against any damages or problems arising from the use of any options or any consumable products other than those designated as Original Epson Products or Epson Approved Products by Seiko Epson Corporation.

The contents of this guide may be changed or updated without further notice.

Illustrations in this guide and the actual projector may differ.

Microsoft, Windows, Windows Vista, and the Windows logo are trademarks or registered trademarks of Microsoft Corporation in the United States and/or other countries.

Other product names used herein are for identification purposes only and may be trademarks of their respective owners. Epson disclaims any and all rights in those marks.

This information is subject to change without notice.

© SEIKO EPSON CORPORATION 2017. All rights reserved.

---

## Responsible Use of Copyrighted Materials

Epson encourages each user to be responsible and respectful of the copyright laws when using any Epson product. While some countries' laws permit limited copying or reuse of copyrighted material in certain circumstances, those circumstances may not be as broad as some people assume. Contact your legal advisor for any questions regarding copyright law.

---

## Trademarks

Mac, OS X and macOS are registered trademarks of Apple Inc.